



PDS40

Power Drive Straddle Truck

SHORT TURNING RADIUS MAKES
THE PDS AN EXCELLENT CHOICE
FOR NARROW AISLES, TOOL ROOMS
OR STREET LOADING APPLICATIONS



CAPACITY

4000 lbs. at 24" load center

BATTERY

Compartment: 31.6" x 13.1" x open
Anderson 175 Gray, position A-11
Minimum battery weight 1090 lbs.

SPEED

TRAVEL

Variable from 0 mph to 3.4 mph empty
Variable from 0 mph to 3.1 mph loaded

LIFT

Up to 37 fpm empty.
Up to 32 fpm loaded—4000lbs

LOWERING

Up to 29 fpm empty.
Up to 56 fpm loaded—4000 lbs.

WEIGHT

2624 lbs. Chassis Only

TIRES / WHEELS

DRIVE

9" x 3" polyurethane

DUAL LOAD

(2) 4" x 2.9" polyurethane

HYDRAULICS

Lift cylinder has hard chrome plated rods. Pump unit including motor, solenoid, gear pump, and pressure compensated lowering valve are mounted high in the power compartment for ease of service.

ELECTRICAL

24-Volt ZAPI AC O inverter, travel control with matching drive motor provide high performance throughout the entire speed range. Travel speed remains constant relative to throttle position regardless of load. Separately fused power control circuits, quick disconnect EPD power cut off, and hour meter / battery discharge indicator combination gauge complete the system. Power configurations and diagnostic features are displayed with a ZAPI handheld console.

BRAKES

Electromagnetic brake is mounted on the motor armature shaft multiplying the braking power through the drive transmission.

Brake is applied when the control arm is in the vertical or horizontal handle position. System features anti-roll back and neutral braking.

CONTROLS

Travel, lift, and lower functions are located in the ergonomic operator handle. All operator controls are accessible without having to lift the hand from the handle.

Angle grips are designed to allow easy operation with either hand. Wrap around guard, reversing switch, thumb control, and horn are standard.

Top mounted tiller arm offers excellent operator comfort and minimum steering effort. Gas assisted spring gently returns handle to vertical position.

TRANSMISSION

Vertically mounted drive motor is direct mounted to gear housing. Oil bathed bevel gear drive train with tapered roller bearings transfers power to axle. State of the art optimized gear technology supplies advantages such as zero maintenance, low noise level, high efficiency and high performance.

FRAME AND MAST

Bolt-on high visibility mast, features I-beam construction, with lift cylinders positioned on the outer I-beam for best view through mast. Dual lifting chains.

Fixed straddle leg inside dimension (ID) can be set at 42" or 50". Four inch wide straddle legs = ID + 8"

Class two ITA fork carriage with 36" tall load back rest. Forks are adjustable from 8" ID to 31" OD

BEARINGS

DRIVE WHEEL-Tapered roller bearings sealed in oil bath

LOAD WHEELS-Sealed ball bearings

ACCESSIBILITY

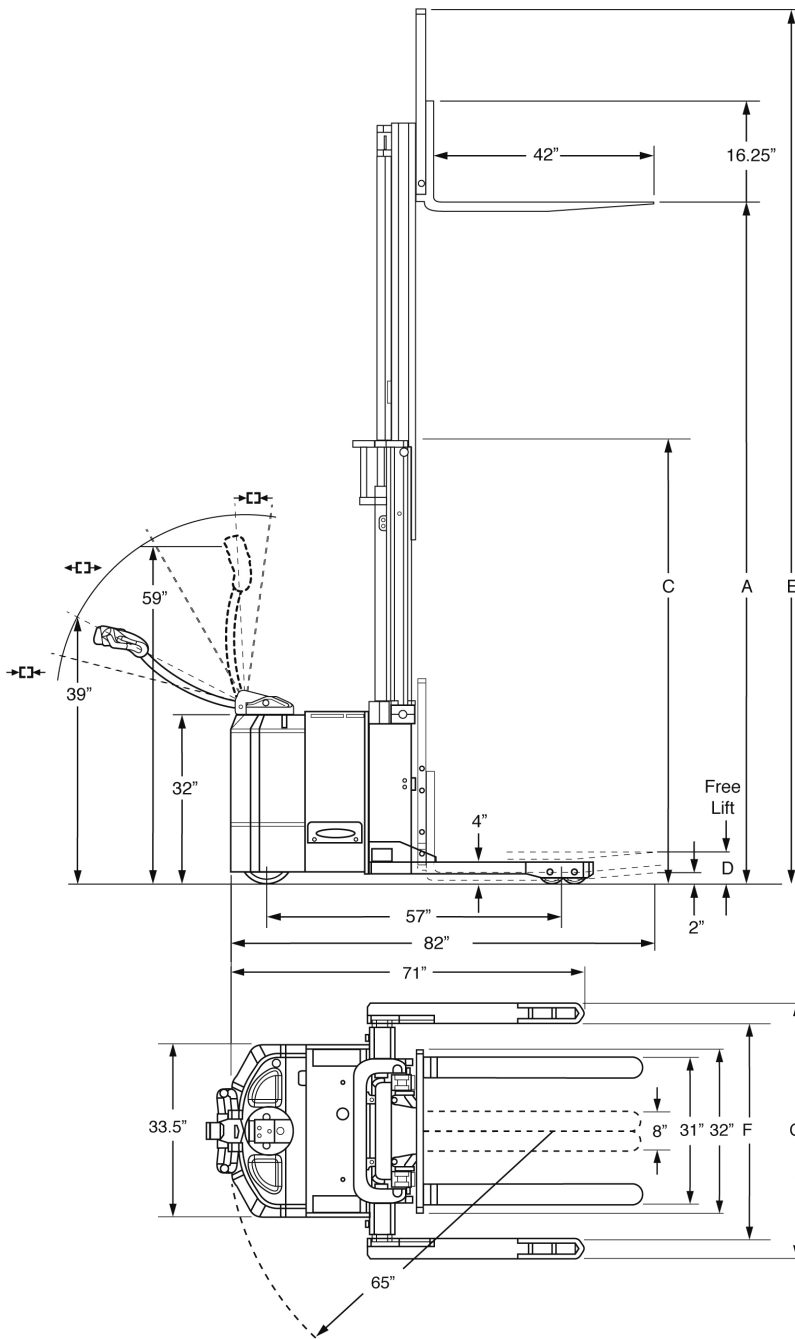
Removal of two piece power head cover exposes major components for inspection and maintenance

STANDARD EQUIPMENT

- Regenerative Braking
- Creep Speed Handle Control
- Gas Assist Spring Handle
- Low Battery – Interrupt
- Hour Meter BDI Combo Gauge
- Key Switch

OPTIONAL EQUIPMENT

- 48" tall load backrest
- Cold conditioning
- Side-Shifting Fork Carriage
- Battery 510 AH 11.9 kwh

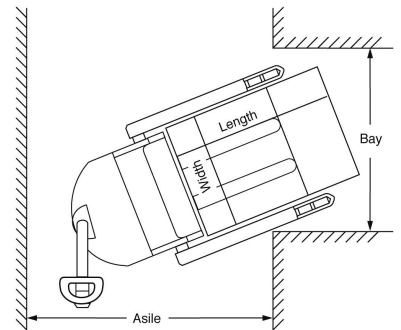


Aisle Guide

PDS40 - Right Angle Stacking

Load Width	Load Length		
	36"	40"	48"
36"	79.5"	79.5"	79.5"
40"	80.5"	80.5"	80.5"
48"	80.5"	80.5"	80.5"

For ease of use add 8" to aisle dimension listed. If sideshift option is used add 2".



Aisle dimensions listed above assume the minimum bay width to be straddle OD plus 5" (2.5" on each either side of straddle leg). Straddle OD is the load width plus 10". Truck performance may vary due to application requirements and changes in model design.

Model #	Mast	Lift Height	Col Height	Free Lift	Ext Height w/LBR	Fixed Straddle Leg		**Weight Chassis Only
		A	C	D	E	F	G	
4000 Capacity								
PDS40-104	Two Stage	104	72.5	6	140	42 or 50	50 or 58	2118
PDS40-126	Two Stage	126	83.5	6	162	42 or 50	50 or 58	2238
PDS40-157	Three Stage	157	72	50	193	42 or 50	50 or 58	2514
PDS40-177*	Three Stage	177	80	58	213	42 or 50	50 or 58	2624

* Derates 1500 LBS above 162"

** Estimated shipping weight without battery